

**25 mm thickness**

**Acoustic Baffle: 2 Pieces 400 mm x 1200 mm**

Base plate: 2 Pieces 380 mm x 350 mm

Bass cabinet:

4 Pieces 400 mm x 600 mm (Sides)

4 Pieces 295 mm x 550 mm (Front/Rear)

4 Pieces 295 mm x 400 mm (Cover, Bottom)

**10mm thickness**

Support boards: 4 Pieces 150 mm x 200 mm

2 Pieces 260 mm x 295 mm

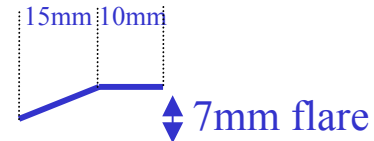
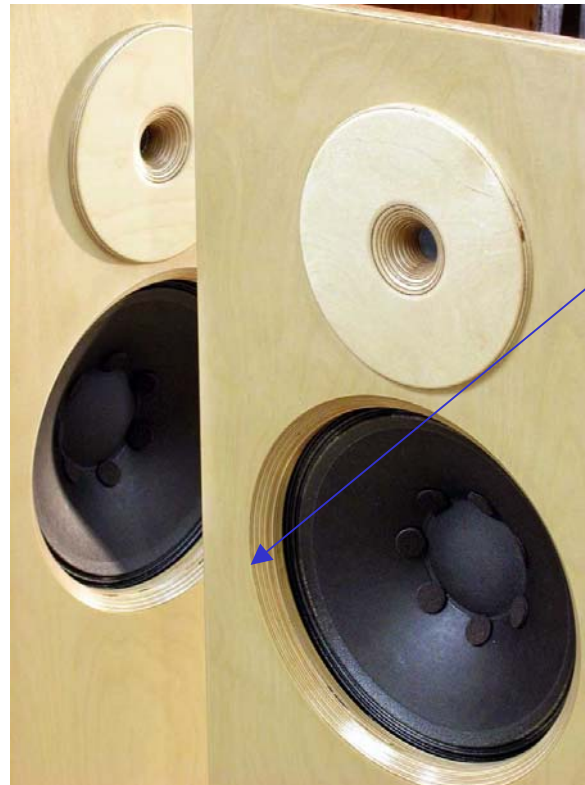
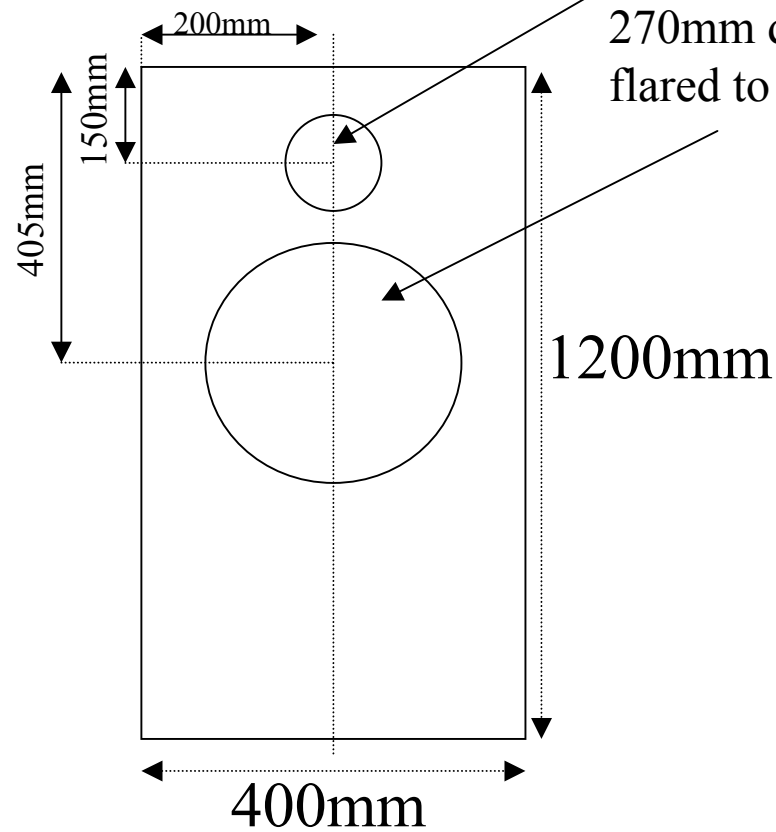
2 Pieces 125 mm x 295 mm

# Birch ply or MDF

160mm dia

270mm dia for inside 10mm  
flared to 284mm for front 15mm depth

270mm hole “flares”  
to 284mm for front 15mm



# Option 1

## Birch ply or MDF

### 25 mm thickness

Acoustic Baffle: 2 Pieces 400 mm x 1200 mm

**Base plate: 2 Pieces 380 mm x 350 mm**

Bass cabinet:

4 Pieces 400 mm x 600 mm (Sides)

4 Pieces 295 mm x 550 mm (Front/Rear)

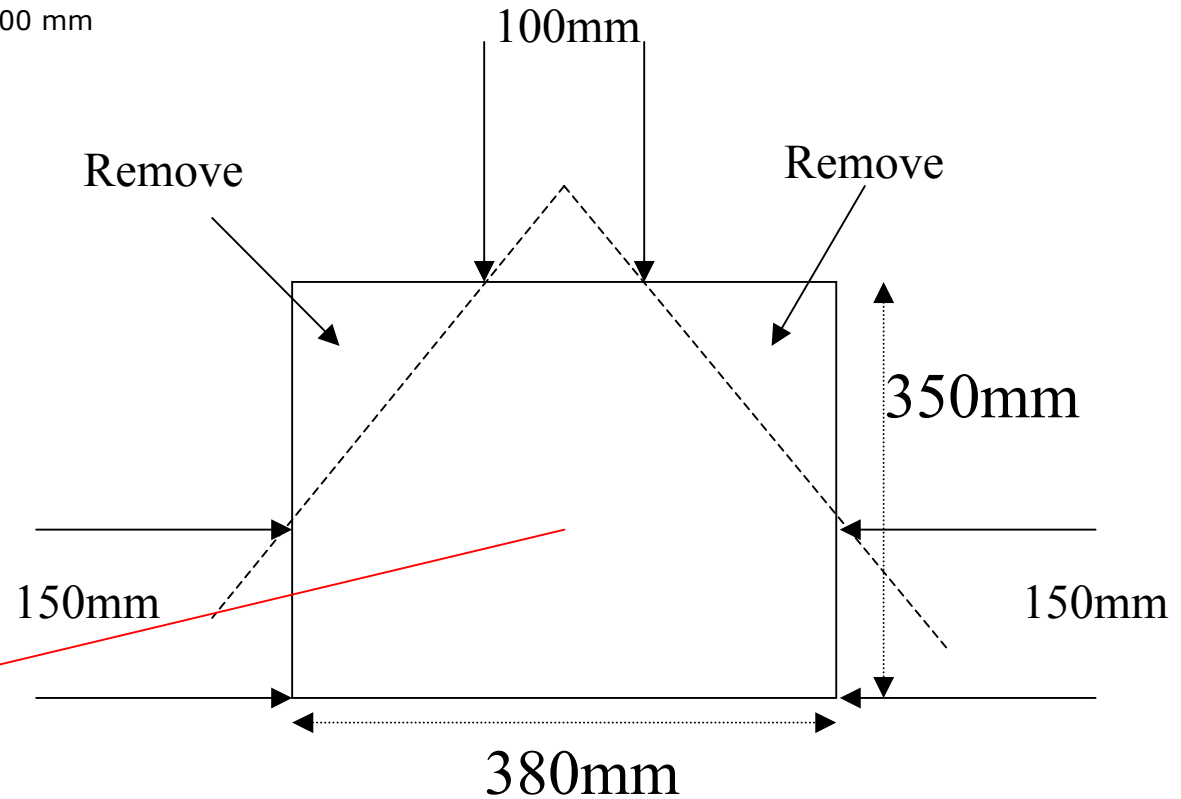
4 Pieces 295 mm x 400 mm (Cover, Bottom)

### 10mm thickness

Support boards: 4 Pieces 150 mm x 200 mm

2 Pieces 260 mm x 295 mm

2 Pieces 125 mm x 295 mm



# Option 2

## Birch ply or MDF

### 25 mm thickness

Acoustic Baffle: 2 Pieces 400 mm x 1200 mm

**Base plate: 2 Pieces 380 mm x 350 mm**

Bass cabinet:

4 Pieces 400 mm x 600 mm (Sides)

4 Pieces 295 mm x 550 mm (Front/Rear)

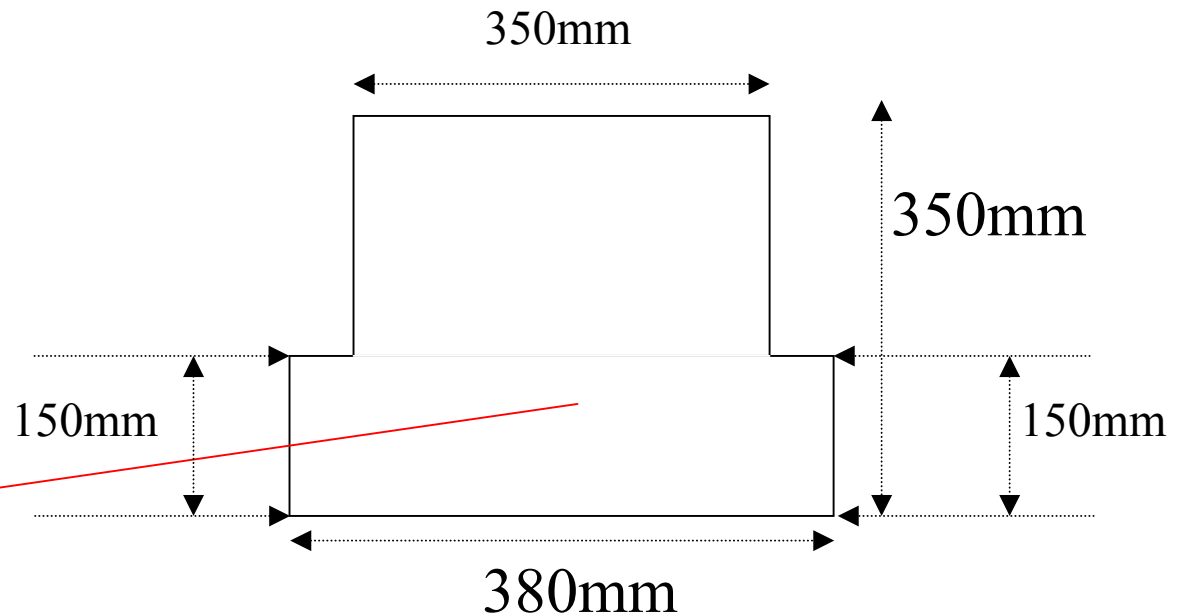
4 Pieces 295 mm x 400 mm (Cover, Bottom)

### 10mm thickness

Support boards: 4 Pieces 150 mm x 200 mm

2 Pieces 260 mm x 295 mm

2 Pieces 125 mm x 295 mm



**25 mm thickness**

Acoustic Baffle: 2 Pieces 400 mm x 1200 mm

Base plate: 2 Pieces 380 mm x 350 mm

Bass cabinet:

**4 Pieces 400 mm x 600 mm (Sides)**

4 Pieces 295 mm x 550 mm (Front/Rear)

4 Pieces 295 mm x 400 mm (Cover, Bottom)

**10mm thickness**

Support boards: 4 Pieces 150 mm x 200 mm

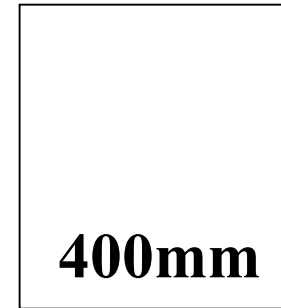
2 Pieces 260 mm x 295 mm

2 Pieces 125 mm x 295 mm

**Birch ply or  
MDF**

**4 Pieces**

**2 Pieces**



**600mm**



280mm dia

280mm dia

1 Piece

180mm

1 Piece

180mm

600mm

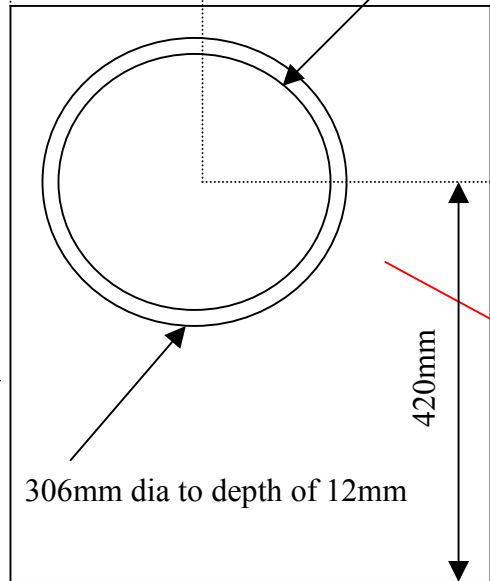
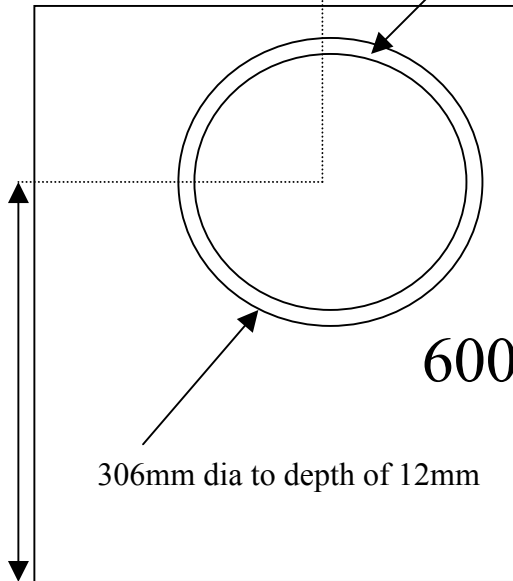
600mm

306mm dia to depth of 12mm

306mm dia to depth of 12mm

400mm

400mm



**25 mm thickness**

Acoustic Baffle: 2 Pieces 400 mm x 1200 mm

Base plate: 2 Pieces 380 mm x 350 mm

Bass cabinet:

4 Pieces 400 mm x 600 mm (Sides)

**4 Pieces 295 mm x 550 mm (Front/Rear)**

4 Pieces 295 mm x 400 mm (Cover, Bottom)

**10mm thickness**

Support boards: 4 Pieces 150 mm x 200 mm

2 Pieces 260 mm x 295 mm

2 Pieces 125 mm x 295 mm

**Birch ply or MDF**

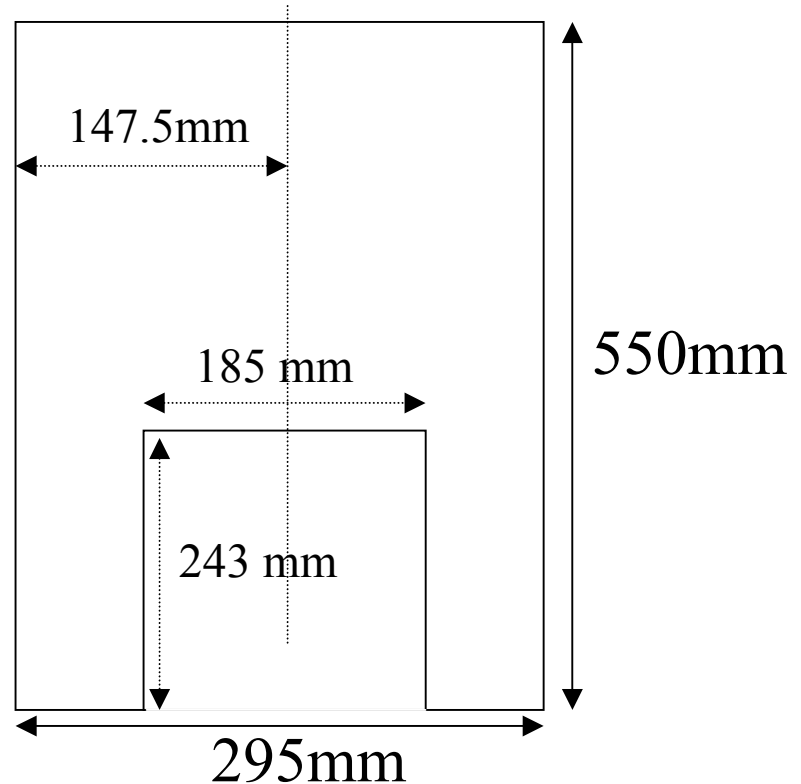
2 Pieces



295mm

550mm

2 Pieces



295mm

550mm

**25 mm thickness**

Acoustic Baffle: 2 Pieces 400 mm x 1200 mm

Base plate: 2 Pieces 380 mm x 350 mm

Bass cabinet:

4 Pieces 400 mm x 600 mm (Sides)

4 Pieces 295 mm x 550 mm (Front/Rear)

**4 Pieces 295 mm x 400 mm (Cover, Bottom)**

**10mm thickness**

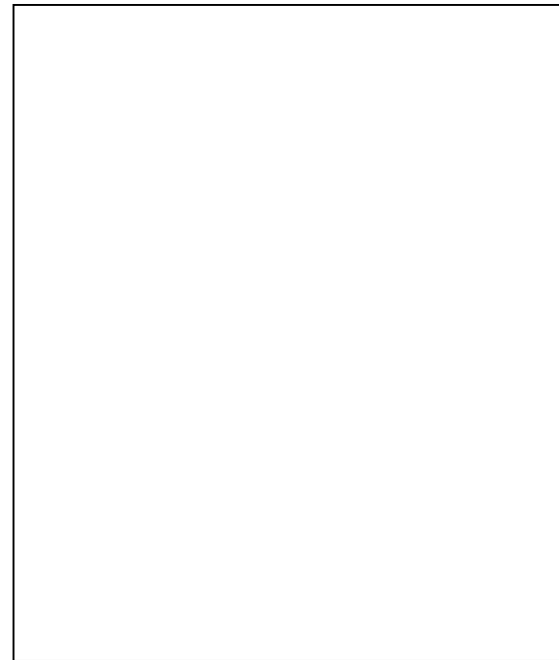
Support boards: 4 Pieces 150 mm x 200 mm

2 Pieces 260 mm x 295 mm

2 Pieces 125 mm x 295 mm

**Birch ply or MDF**

4 Pieces



400mm

295mm

### 25 mm thickness

Acoustic Baffle: 2 Pieces 400 mm x 1200 mm

Base plate: 2 Pieces 380mm x 350 mm

Bass cabinet:

4 Pieces 400 mm x 600 mm (Sides)

4 Pieces 295 mm x 550 mm (Front/Rear)

4 Pieces 295 mm x 400 mm (Cover, Bottom)

### 10mm thickness

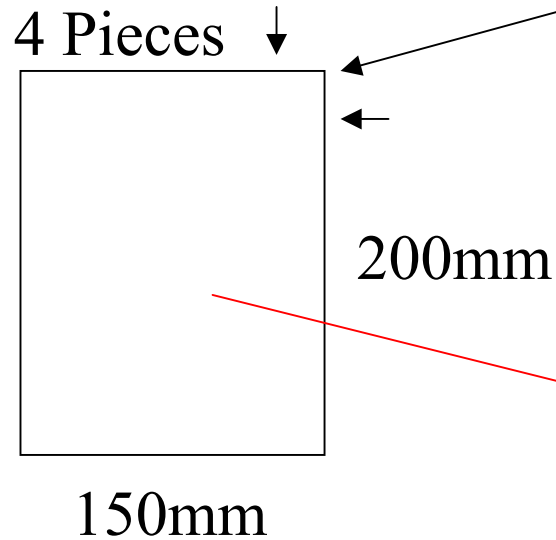
**Support boards: 4 Pieces 150 mm x 200 mm**

2 Pieces 260 mm x 295 mm

2 Pieces 125 mm x 295 mm

# Birch ply or MDF

Round this corner off 20mm from corner



**25 mm thickness**

Acoustic Baffle: 2 Pieces 400 mm x 1200 mm

Base plate: 2 Pieces 380 mm x 350 mm

Bass cabinet:

4 Pieces 400 mm x 600 mm (Sides)

4 Pieces 295 mm x 550 mm (Front/Rear)

4 Pieces 295 mm x 400 mm (Cover, Bottom)

**10mm thickness**

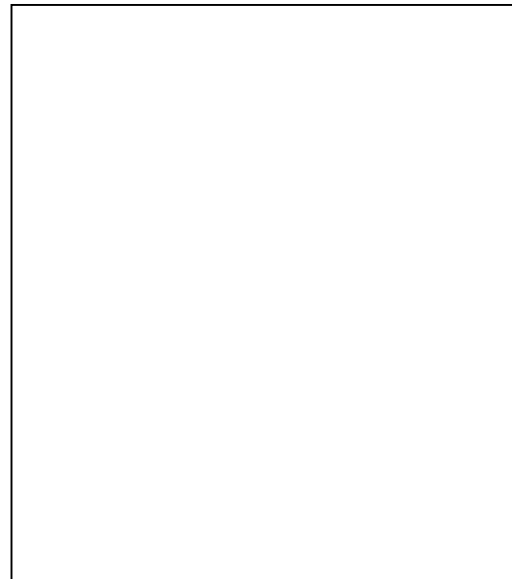
Support boards: 4 Pieces 150 mm x 200 mm

**2 Pieces 260 mm x 295 mm**

2 Pieces 125 mm x 295 mm

**Birch ply or MDF**

2 Pieces



295mm

260mm

**25 mm thickness**

Acoustic Baffle: 2 Pieces 400 mm x 1200 mm

Base plate: 2 Pieces 380 mm x 350 mm

Bass cabinet:

4 Pieces 400 mm x 600 mm (Sides)

4 Pieces 295 mm x 550 mm (Front/Rear)

4 Pieces 295 mm x 400 mm (Cover, Bottom)

**10mm thickness**

Support boards: 4 Pieces 150 mm x 200 mm

2 Pieces 260 mm x 295 mm

**2 Pieces 125 mm x 295 mm**

**Birch ply or MDF**

2 Pieces



295mm

125mm